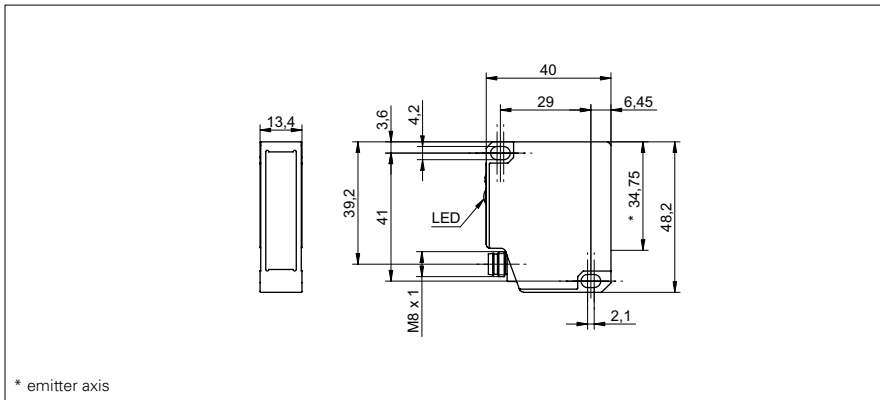


Distance sensors

OADM 13 (Laser, RS485 interface)

sample drawing



general data

adjustment	no
power on indication	LED green
light source	pulsed red laser diode
wave length	650 nm
laser class	2
alarm indicator	LED red

measuring distance Sd = 50 ... 350 mm

resolution	0,05 ... 0,4 mm
linearity error	± 0,18 ... ± 1,2 mm
temperature drift	< 0,04 % Sde/K

measuring distance Sd = 50 ... 550 mm

resolution	0,09 ... 1,15 mm
linearity error	± 0,3 ... ± 3,5 mm
temperature drift	< 0,07 % Sde/K

electrical data

voltage supply range +Vs	12 ... 28 VDC
current consumption max.	80 mA
output circuit	RS 485
baud rate	38400, adjustable
short circuit protection	yes
reverse polarity protection	yes, Vs to GND

mechanical data

width / diameter	13,4 mm
height / length	48,2 mm
depth	40 mm
type	rectangular
housing material	aluminum
front (optics)	glass
connection types	connector M8 4 pin

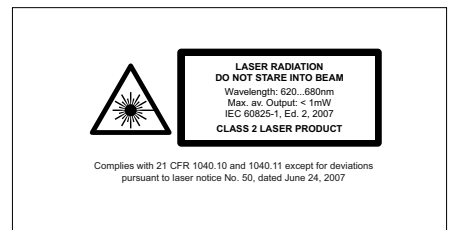
ambient conditions

operating temperature	0 ... +50 °C
protection class	IP 67

sample picture



laser warning



Distance sensors

OADM 13 (Laser, RS485 interface)

order reference	measuring distance Sd	response time / release time	beam type	beam width	beam height	beam diameter	ambient light immunity
OADM 13S6475/S35A	50 ... 350 mm	< 0,9 ms	point	-	-	1 mm	> 20 kLux
OADM 13S6575/S35A	50 ... 350 mm	< 0,9 ms	line	2 mm	4 ... 9 mm	-	> 30 kLux
OADM 13S7480/S35A	50 ... 550 mm	< 2 ms	point	-	-	1 mm	> 100 kLux
OADM 13S7580/S35A	50 ... 550 mm	< 2 ms	line	2 mm	4 ... 13 mm	-	> 100 kLux